

CANDIDATE
NAME

CENTRE
NUMBER

--	--	--	--	--	--

CANDIDATE
NUMBER

--	--	--	--



COMPUTER SCIENCE

9608/23

Paper 2 Fundamental Problem-solving and Programming Skills

October/November 2015

2 hours

Candidates answer on the Question Paper.

No Additional Materials are required.

No calculators allowed.

READ THESE INSTRUCTIONS FIRST

Write your Centre number, candidate number and name in the spaces at the top of this page.

Write in dark blue or black pen.

You may use an HB pencil for any diagrams, graphs or rough working.

Do not use staples, paper clips, glue or correction fluid.

DO NOT WRITE IN ANY BARCODES.

Answer **all** questions.

No marks will be awarded for using brand names of software packages or hardware.

At the end of the examination, fasten all your work securely together.

The number of marks is given in brackets [] at the end of each question or part question.

The maximum number of marks is 75.

This document consists of **19** printed pages and **1** blank page.

Throughout the paper you will be asked to write either **pseudocode** or **program code**.

Complete the statement to indicate which high-level programming language you will use.

Programming language

AlevelCSOnline.CF

1 Computer programs have to evaluate expressions.

Study the sequence of pseudocode statements.

Write down the value assigned to each variable.

<pre> DECLARE h, w, r, Perimeter, Area : REAL DECLARE A, B, C, D, E : BOOLEAN </pre>	
<pre> h ← 13.6 w ← 6.4 Perimeter ← (h + w) * 2 </pre>	(i) Perimeter [1]
<pre> r ← 10 Area 3.142 * r^2 </pre>	(ii) Area [1]
<pre> Z ← 11 + r / 5 + 3 </pre>	(iii) Z [1]
<pre> A ← NOT(r > 10) </pre>	(iv) A [1]

2 A programmer uses an Integrated Development Environment (IDE) for all program development.

(i) Describe what is meant by an IDE.

.....

.....

.....

..... [2]

(ii) Name **three** features you would expect to be available in an IDE to help initial error detection or debugging.

1

.....

2

.....

3

..... [3]

3 A program is to simulate the operation of a particular type of logic gate.

- The gate has two inputs (TRUE or FALSE) which are entered by the user.
- The program will display the output (TRUE or FALSE) from the gate.

The program uses the following identifiers in the pseudocode below:

Identifier	Data type	Description
InA	BOOLEAN	Input signal
InB	BOOLEAN	Input signal
OutZ	BOOLEAN	Output signal

```

01 INPUT InA
02 INPUT InB
03 IF (InA = FALSE AND InB = FALSE) OR (InA = FALSE AND InB = TRUE)
                                OR (InA = TRUE AND InB = FALSE)
04 THEN
05     OutZ ← TRUE
06 ELSE
07     OutZ ← FALSE
08 ENDIF
09 OUTPUT OutZ

```

(a) The programmer chooses the following four test cases.

Show the output (OutZ) expected for each test case.

Test case	Input		Output OutZ
	InA	InB	
1	TRUE	TRUE	
2	TRUE	FALSE	
3	FALSE	TRUE	
4	FALSE	FALSE	

[4]

4 A program is to be written to calculate the discount given on purchases.

A purchase may qualify for a discount depending on the amount spent. The purchase price (*Purchase*), the discount rate (*DiscountRate*) and amount paid (*Paid*) is calculated as shown in the following pseudocode algorithm.

```
INPUT Purchase

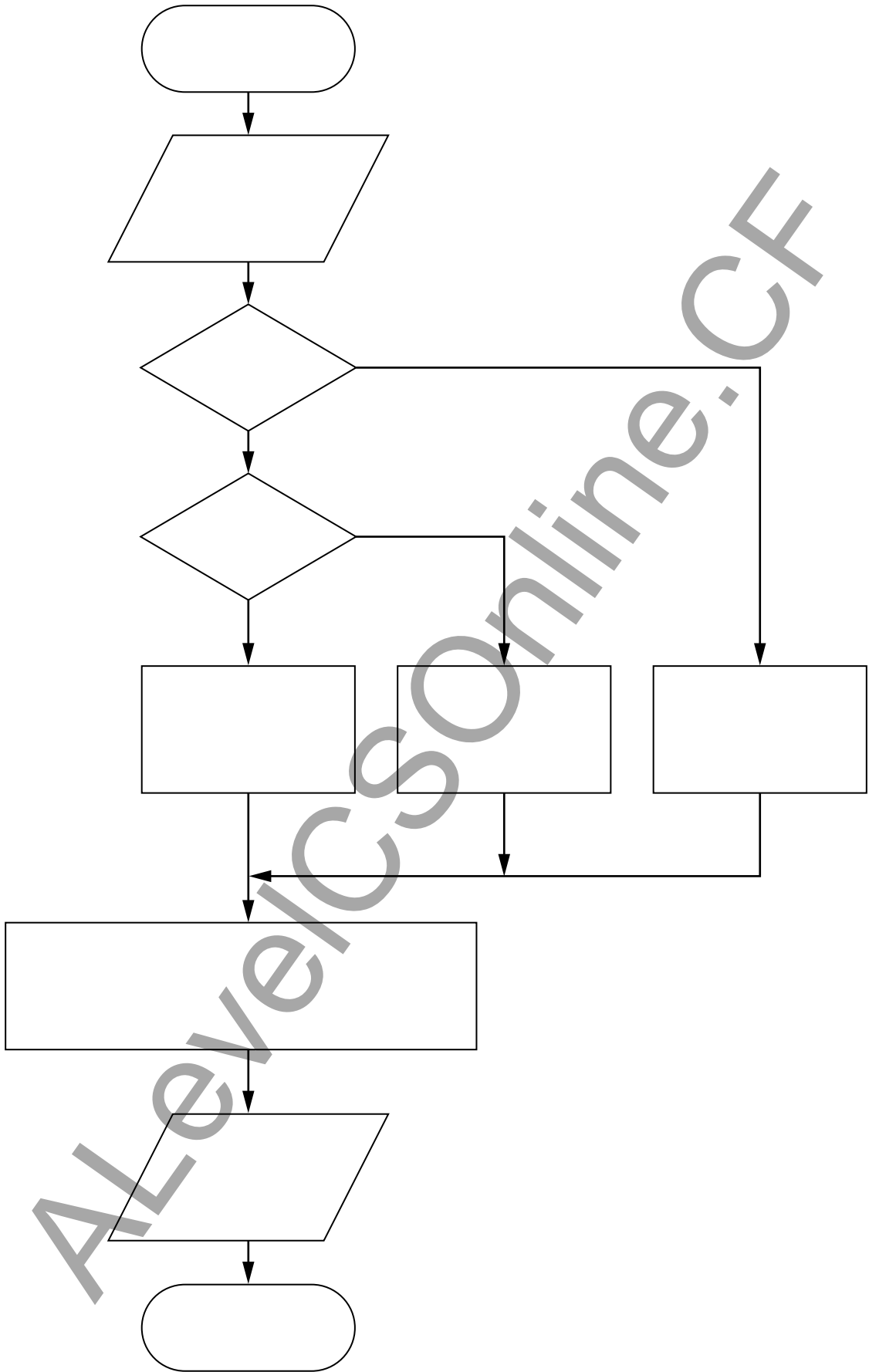
IF Purchase > 1000
  THEN
    DiscountRate ← 0.10
  ELSE
    IF Purchase > 500
      THEN
        DiscountRate ← 0.05
      ELSE
        DiscountRate ← 0
    ENDIF
  ENDIF

Paid ← Purchase * (1 - DiscountRate)
OUTPUT Paid
```

The algorithm is also to be documented with a program flowchart.

Complete the flowchart by:

- filling in the flowchart boxes
- labelling, where appropriate, lines of the flowchart



[6]

5 A driver buys a new car.

The value of the car reduces each year by a percentage of its current value.

The percentage reduction is:

- in the first year, 40%
- in each following year, 20%

The driver writes a program to predict the value of the car in future years.

The program requirements are:

- enter the cost of the new car (to nearest \$)
- calculate and output the value of the car at the end of each year
- the program will end when either the car is nine years old, or when the value is less than \$1000

(a) Study the incomplete pseudocode which follows in **part (b)** and fill in the identifier table.

Identifier	Data type	Description

[3]

(b) Complete the pseudocode for this design.

```

OUTPUT "Enter purchase price"
INPUT PurchasePrice

CurrentValue ← .....
YearCount ← 1

WHILE ..... AND .....

    IF .....
    THEN
        CurrentValue ← CurrentValue * (1 - 40 / 100)
    ELSE
        CurrentValue ← .....
    ENDIF

OUTPUT YearCount, CurrentValue

.....

ENDWHILE

```

[6]

- 6 A firm employs five staff who take part in a training programme. Each member of staff must complete a set of twelve tasks which can be taken in any order. When a member of staff successfully completes a task, this is recorded.

A program is to be produced to record the completion of tasks for the five members of staff.

To test the code, the programmer makes the program generate test data.

The program generates pairs of random numbers:

- the first, in the range, 1 to 5 to represent the member of staff
- the second, in the range, 1 to 12 to represent the task

Each pair of numbers simulates the completion of one task by one member of staff.

- (a) Explain why the generation of 60 (5 staff x 12 tasks) pairs of random numbers will not simulate all tasks completed by all staff.

.....

.....

.....[2]

- (b) Data is currently recorded manually as shown.

Staff number	Task number											
	1	2	3	4	5	6	7	8	9	10	11	12
1												
2												
3				✓								
4												
5								✓				

The table shows that two members of staff have each successfully completed one task.

The program must use a suitable data structure to store, for all staff:

- tasks successfully completed
- tasks not yet successfully completed

The program will output the staff number and task number in the order in which tasks are completed.

The program design in pseudocode is produced as follows:

```

01 DECLARE StaffNum          : INTEGER
02 DECLARE TaskNum           : INTEGER
03 DECLARE .....
04 DECLARE NewStaffTask     : BOOLEAN
05
06 CALL InitialiseTaskGrid
07 Completed ← 0
08 WHILE Completed <> 60
09     NewStaffTask ← FALSE
10     WHILE NewStaffTask = FALSE
11         StaffNum ← RANDOM(1,5)           //generates a random number
12         TaskNum ← RANDOM(1,12)          //in the given range
13         IF TaskGrid[StaffNum, TaskNum] = FALSE
14             THEN
15                 TaskGrid[StaffNum, TaskNum] ← TRUE
16                 NewStaffTask ← TRUE
17                 OUTPUT StaffNum, TaskNum
18             ENDIF
19     ENDWHILE
20     Completed ← Completed + 1
21 ENDWHILE
22 OUTPUT "Staff Task Count", Completed
23
24 // end of main program
25
26 PROCEDURE InitialiseTaskGrid()
27     DECLARE i : INTEGER
28     DECLARE j : INTEGER
29     FOR i ← 1 TO 5
30         FOR j ← 1 TO 12
31             TaskGrid[i, j] ← FALSE
32         ENDFOR
33     ENDFOR
34 ENDPROCEDURE

```

Study the pseudocode and answer the questions below.

Give the line number for:

- (i) The declaration of a `BOOLEAN` global variable. [1]
 - (ii) The declaration of a local variable. [1]
 - (iii) The incrementing of a variable used as a counter, but not to control a 'count controlled' loop. [1]
 - (iv) A statement which uses a built-in function of the programming language. [1]
- (c) (i) State the number of parameters of the `InitialiseTaskGrid` procedure. [1]
- (ii) Copy the condition which is used to control a 'pre-condition' loop.
..... [1]
- (iii) Explain the purpose of lines 13 – 18.
..... [3]
- (iv) Give the global variable that needs to be declared at line 03.
..... [2]

AlevelCSonline.CF

AlevelCSOnline.CF

Question 7 begins on page 14.

7 ASCII character codes are used to represent a single character.

Part of the code table is shown below.

ASCII code table (part)

Character	Decimal	Character	Decimal	Character	Decimal
<Space>	32	I	73	R	82
A	65	J	74	S	83
B	66	K	75	T	84
C	67	L	76	U	85
D	68	M	77	V	86
E	69	N	78	W	87
F	70	O	79	X	88
G	71	P	80	Y	89
H	72	Q	81	Z	90

Some pseudocode statements follow which use the built-in functions below:

ONECHAR(ThisString : STRING, Position : INTEGER) RETURNS CHAR
 returns the single character at position Position (counting from the start of the string with value 1) from the string ThisString.
 For example: ONECHAR("Barcelona", 3) returns 'r'.

CHARACTERCOUNT(ThisString : STRING) RETURNS INTEGER
 returns the number of characters in the string ThisString.
 For example: CHARACTERCOUNT("BRAZIL") returns 6.

CHR(ThisInteger : INTEGER) RETURNS CHAR
 returns the character with ASCII code ThisInteger.
 For example: CHR(65) returns character 'A'.

ASC(ThisCharacter : CHAR) RETURNS INTEGER
 returns the ASCII value for character ThisCharacter.
 For example: ASC('A') returns 65.

(a) Show the values stored by variables A, B, C and D.

The & operator is used to concatenate two strings.

Num1 ← 15	
A ← CHR(67) & CHR(65) & CHR(84)	(i) A [1]
B ← ASC('P') - ASC('F') + 3	(ii) B [1]
C ← ASC(ONECHAR("BISCUITS", 3))	(iii) C [1]
D ← CHARACTERCOUNT("New York City") + 2	(iv) D [1]

(b) Study the sequence of pseudocode statements.

Show the values assigned to each variable.

<code>FractionString ← "3/7+2/9"</code>	
<code>N3Char ← ONECHAR(FractionString, 5)</code>	(i) N3Char [1]
<code>Op ← ONECHAR(FractionString, 4)</code>	(ii) Op [1]

(iii) Complete the function call to isolate the character '9' from FractionString.

`FractionString ← "3/7+2/9"`

`ONECHAR(FractionString,)` [1]

The following additional variables are to be used by the program:

Identifier	Data type	Description
N1	INTEGER	The number value of N1Char
N2	INTEGER	The number value of N2Char
N3	INTEGER	The number value of N3Char
N4	INTEGER	The number value of N4Char
TopAnswer	INTEGER	The numerator of the fraction answer
BottomAnswer	INTEGER	The denominator of the fraction answer

(c) The following pseudocode uses these additional built-in functions:

TONUM(ThisDigit : CHAR) RETURNS INTEGER
 returns the integer value of character ThisDigit
 For example: TONUM('8') returns digit 8.

TOSTR(ThisNumber : INTEGER) RETURNS STRING
 returns the string value of integer ThisNumber
 For example: TOSTR(27) returns "27".

Study the pseudocode.

Complete the **three** dry runs for the three given values of FractionString.

```

OUTPUT "Enter the expression"
INPUT FractionString

// isolate each number digit and assign its number value
N1Char ← ONECHAR(FractionString, 1)
N1 ← TONUM(N1Char)
N2Char ← ONECHAR(FractionString, 3)
N2 ← TONUM(N2Char)
N3Char ← ONECHAR(FractionString, 5)
N3 ← TONUM(N3Char)
N4Char ← ONECHAR(FractionString, 7)
N4 ← TONUM(N4Char)

BottomAnswer ← N2 * N4

Op ← ONECHAR(FractionString, 4)
IF Op = '+'
  THEN
    // add fractions
    TopAnswer ← (BottomAnswer/N2) * N1 + (BottomAnswer/N4) * N3
  ELSE
    // subtract fractions
    TopAnswer ← (BottomAnswer/N2) * N1 - (BottomAnswer/N4) * N3
ENDIF

IF TopAnswer = BottomAnswer
  THEN
    OUTPUT '1'
  ELSE
    IF TopAnswer > BottomAnswer
      THEN
        TopAnswer ← TopAnswer MOD BottomAnswer
        // the & operator joins strings or character values
        OUTPUT "1 " & TOSTR(TopAnswer) & "/" & TOSTR(BottomAnswer)
      ELSE
        OUTPUT TOSTR(TopAnswer) & "/" & TOSTR(BottomAnswer)
      ENDIF
    ENDIF
  ENDIF
ENDIF
  
```

(i) FractionString ← "2/5-3/8"

N1	N2	N3	N4	BottomAnswer	Op	TopAnswer	OUTPUT

[2]

(ii) FractionString ← "3/4+1/4"

N1	N2	N3	N4	BottomAnswer	Op	TopAnswer	OUTPUT

[2]

(iii) FractionString ← "7/9+2/3"

N1	N2	N3	N4	BottomAnswer	Op	TopAnswer	OUTPUT

[3]

(d) The programmer writes code from the given pseudocode design. The program works, but the design is limited.

The programmer is to make amendments to the design following suggested specification changes.

(i) State the name for this type of maintenance.

.....[1]

(ii) Describe **three** specification changes which will make the program more useful.

1

.....

2

.....

3

.....[3]

AlevelCSOnline.CF

Permission to reproduce items where third-party owned material protected by copyright is included has been sought and cleared where possible. Every reasonable effort has been made by the publisher (UCLES) to trace copyright holders, but if any items requiring clearance have unwittingly been included, the publisher will be pleased to make amends at the earliest possible opportunity.

To avoid the issue of disclosure of answer-related information to candidates, all copyright acknowledgements are reproduced online in the Cambridge International Examinations Copyright Acknowledgements Booklet. This is produced for each series of examinations and is freely available to download at www.cie.org.uk after the live examination series.

Cambridge International Examinations is part of the Cambridge Assessment Group. Cambridge Assessment is the brand name of University of Cambridge Local Examinations Syndicate (UCLES), which is itself a department of the University of Cambridge.